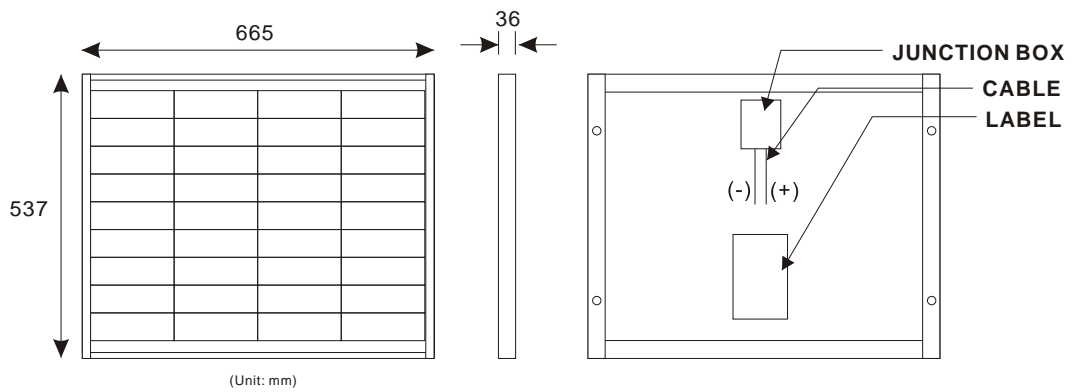




**HTS-43**

## SPECIFICATION



### 1. Physical Specification:

Type	HTS-43
No. of Cells	36
Dimension	537x665x36mm
Mass	4.7 kg
Operating Temp.	- 40 ~ + 85°C
Storage Temp.	- 40 ~ + 85°C

### 2. Electrical Specification:

Max. Power	43W $\pm$ 5%
Max. Power Voltage	18.2V
Max. Power Current	2.37A
Open Circuit Voltage	23.5V
Short Circuit Current	2.53A
Max. Open Circuit System Voltage	750V
Test Condition	Cell temp.25°C Irradiance AM1.5, 1kW/m <sup>2</sup>